

EANCOM 2002 Syntax 3
Edition 2016_Update 2021

Control message
(CONTRL)

Introduction.....	2
Branching Diagram	7
Message Structure.....	8
Segmentlayout.....	9
Codes	24
Example.....	56

Einführung

Introduction

The following message specification is based on the publication of the "Control Message" of GS1 Global in syntax 3.

Status

MESSAGE TYPE: CONTRL
REFERENCE DIRECTORY: D.01B
EANCOM® SUBSET VERSION: 004

Definition

A Syntax and Service Report message is a message syntactically acknowledging, or rejecting with error indication, a received interchange, or message.

Principles

A sender of an EDIFACT interchange can in the UNB segment, using data element 0031, 'Acknowledgement request', request a response from the receiver indicating receipt of the interchange, and if necessary, whether the syntax of all contained segments is correct and supported by the recipient.

The information transmitted in the link is the following:

1. acknowledge or reject the interchange or message and list any errors contained therein.
2. acknowledge only the receipt. This requires that the UNB, UNZ and the UNA if used, be checked.

The EANCOM® CONTRL message will not be used to report on functional groups. The use of functional groups within EANCOM® is not a recommended practice.

The CONTRL message is used to report on the syntax level of an interchange not the business information/data content contained. To acknowledge errors made during the processing within the application see APERAK message.

A recipient may choose to acknowledge syntactical errors which are deemed to be non-fatal by the recipient, e.g. data element exceeding the maximum length.

The CONTRL message will be generated by the recipient of another message. The application which carries out the syntax check may be a third party acting on behalf of the message recipient, e.g. a value added network. When this function is carried out by a third party, the third party should not stop progress of the message to its destination, but should report results to the message recipient according to procedures agreed between the recipient and the third party. The message sender and the message recipient always retain the responsibility for the business use of the CONTRL message.

A CONTRL message shall only be generated when the recipient of the message supports the receipt of a CONTRL message. This agreement would normally be detailed in the interchange agreement.

A CONTRL message must always be sent as a separate interchange.

A CONTRL message may only ever report the action taken for one interchange. It may not refer to

Einführung

several, or parts of several interchanges.

The CONTRL message may acknowledge or reject a complete interchange without referencing messages contained within it.

Additional Notes

Relationship between CONTRL and original interchange

A maximum of two CONTRL messages may be sent in response to a received interchange, an optional acknowledgement of receipt of the interchange, and/or, a report on the results of the syntax check of the interchange. The second type of CONTRL message must be sent if a request for acknowledgement is indicated in the original interchange UNB segment.

The CONTRL message is based on four segments each of which refers to a particular area in the original interchange:

CONTRL Segment Tag	Original Interchange Segments
UCI - Interchange Response	UNA / UNB / UNZ
UCM - Message Response	Full Message
UCS - Segment Error Indication	All Segments
UCD - Data Element Error Indication	All Simple, Composite, or Component Data Elements

Each of the above four CONTRL segments contains a data element indicating the action taken and if required the error being reported.

When acknowledging only the receipt of an interchange segment groups 1 (maximum 1 per message) shall not be used.

Use of Action Codes

The action, either acknowledgement or rejection, is indicated by a code in the UCI and/or UCM segments. The codes allocated to the 'Syntax error, coded', data element 0085, are contained in the code list for this data element (Part III of this manual).

When referencing a level, a segment from the referenced level must be contained in the CONTRL message. When referencing lower levels, all levels above the lower levels must be acknowledged.

Action code 4 and 7 are only used in CONTRL messages reporting the action after a complete check of the interchange. Action code 8 is only used to acknowledge receipt of the interchange.

Syntactical Error Reporting

Errors may be reported for all levels in an interchange using the CONTRL message. The position and nature of the error may be indicated.

The UCI and UCM segments may only report one error per level referenced. If more than one error is

Einführung

detected within a level, the receiver of the interchange may choose to either indicate one of the

Einführung

identified errors or all errors. Reporting of several errors in an interchange is achieved through the use of the relevant group repeated for each error level. Several CONTRL messages shall not be sent to report several errors.

It is recommended that errors, and their positions, should be identified as precisely as possible. Use of more general error codes in place of more precise ones is strongly discouraged. Identification of the precise location of an error will usually require access to the interchange in the format in which it was transferred.

Errors in copied Data Elements

The CONTRL message contains several mandatory data elements which are copied from the original interchange, e.g. in the UCM segment data elements 0062 through 0057 inclusive are copied from the UNH segment. If the data element in the original interchange is missing or syntactically invalid then a syntactically valid CONTRL message can not be generated. If the trading parties have not agreed to allow syntactically incorrect data in the CONTRL message then the error must be reported through means other than the CONTRL message.

Acknowledgement of a CONTRL message

No CONTRL, or other message types in UN/EDIFACT, shall be sent in response to a received CONTRL message. Errors in received CONTRL messages must be reported by other means.

Support of the CONTRL message type

Parties requesting acknowledgement by means of the 'Acknowledgement request' data element in the UNB segment must support the receipt of the CONTRL message type. Requirements for the submission and receipt of the CONTRL message should be agreed between trading parties.

All parties supporting the receipt or submission of the CONTRL message must be able to check all parts of the interchange in the case of the sender, and, be able to understand all information (and report errors) at all reporting levels in the case of the receiver.

Terms and definitions

ACKNOWLEDGEMENT implies that the recipient of the interchange:

- has received the acknowledged part of the interchange, and
- has checked that there are no fatal syntactic errors in the acknowledged part that prevents further processing of it, and
- has checked that all received service segments in the acknowledged part are semantically correct (if no errors were reported), and
- will comply with the actions requested in the service segments, and
- has accepted liability for notifying the sender by other means than sending a CONTRL message if any syntactic or semantic errors as described above are later detected in the relevant part, or the part can not be processed for some other reason after the part has been acknowledged in a submitted CONTRL message,
- has taken reasonable precautions in order to ensure that such errors are detected and that the sender is notified.

Einführung

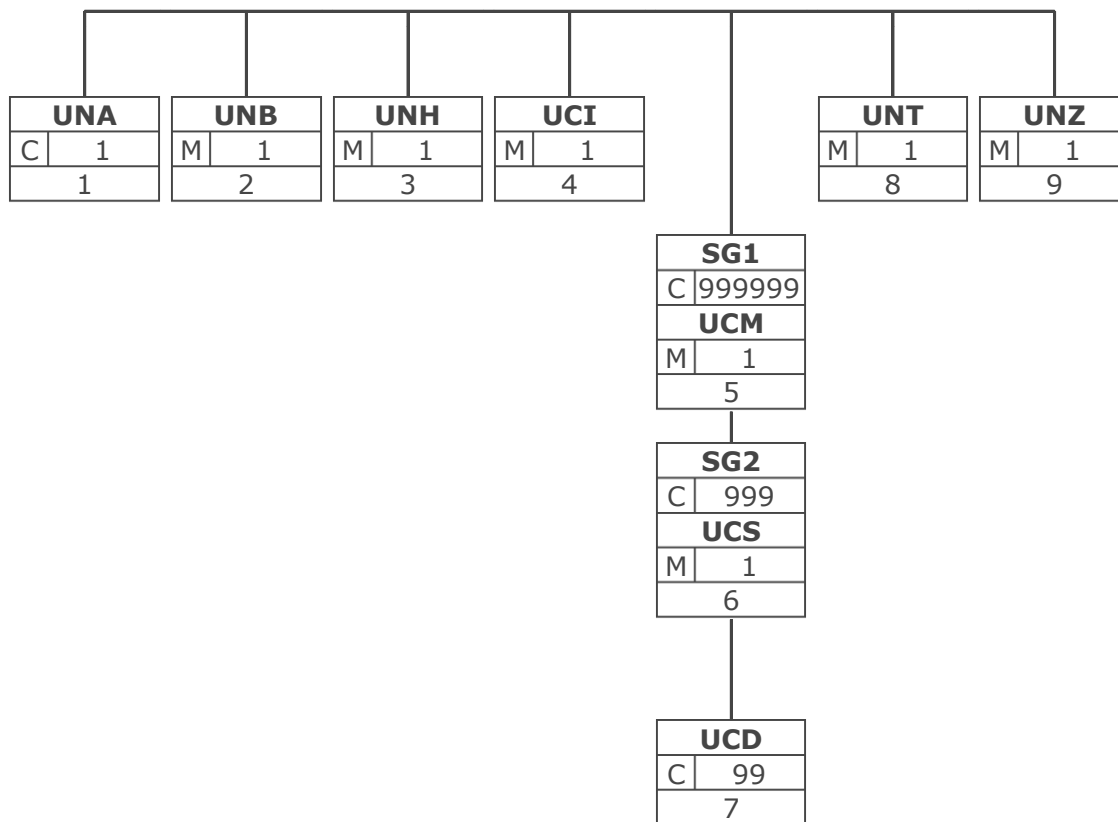
REJECTION implies that the recipient of the subject interchange:

- can not acknowledge the interchange or relevant part of it for reasons indicated in the CONTRL message, and
- will not take any further action on business information contained in the rejected part of the interchange.

REPORTING LEVEL is a segment in CONTRL in which reporting of a corresponding referenced level takes place. The reporting levels are UCI, UCM, UCS and UCD.

REFERENCED LEVEL - the structure of the CONTRL message is based on four segments (UCI, UCD, UCS and UCM) that contain a reference to a part of the interchange. The parts of the interchange are detailed in Additional Notes, section 1 above.

Branching Diagram



Tag	Tag = Segment/Group Tag	
St	MaxOcc	St = Status (M=Mandatory, C=Conditional, R=Required, O=Optional, A=Advised, D=Dependent)
No	MaxOcc	MaxOcc = Maximum occurrence of the segment/group; No = Consecutive segment number

Message Structure

Seg.	No.	Status	Max Occ	Segment
UNA	1	C	1	Service string advice
UNB	2	M	1	Interchange header

Syntax And Service Report Heading Section

UNH	3	M	1	Message header
UCI	4	M	1	Interchange response

Syntax And Service Report Detail Section

SG1		C	999999	UCM-SG2
UCM	5	M	1	Message response
SG2		C	999	UCS-UCD
UCS	6	M	1	Segment error indication
UCD	7	C	99	Data element error indication

Syntax And Service Report Summary Section

UNT	8	M	1	Message trailer
UNZ	9	M	1	Interchange trailer

Max. Occ. = Maximum occurrence of the segment/group, Status: M=Mandatory, C=Conditional, R=Required, O=Optional, A=Advised, D=Dependent

Segment Layout

No. Seg	St	Max. Occ.				
1	UNA	C 1	Service string advice To define the characters selected for use as delimiters and indicators in the rest of the interchange that follows.			
Business Term	DE	EDIFACT	Format	St	*	Description
	UNA1	Component data element separator	an1	M	*	Used as a separator between component data elements contained within a composite data element (default value: ":")
	UNA2	Data element separator	an1	M	*	Used to separate two simple or composite data elements (default value: "+")
	UNA3	Decimal notation	an1	M	*	Used to indicate the character used for decimal notation (default value: ".")
	UNA4	Release indicator	an1	M	*	Used to restore any service character to its original specification (value: "?").
	UNA5	Reserved for future use	an1	M	*	(default value: space)
	UNA6	Segment terminator	an1	M	*	Used to indicate the end of segment data (default value: "'")
<p>The service string advice shall begin with the upper case characters UNA immediately followed by six characters in the order shown below. The same character shall not be used in more than one position of the UNA.</p> <p>This segment is used to inform the receiver of the interchange that a set of service string characters which are different to the default characters are being used.</p> <p>When using the default set of service characters, the UNA segment need not be sent. If it is sent, it must immediately precede the UNB segment and contain the four service string characters (positions UNA1, UNA2, UNA4 and UNA6) selected by the interchange sender.</p> <p>Regardless of whether or not all of the service string characters are being changed every data element within this segment must be filled, (i.e., if some default values are being used with user defined ones, both the default and user defined values must be specified).</p> <p>When expressing the service string characters in the UNA segment, it is not necessary to include any element separators.</p> <p>The use of the UNA segment is required when using a character set other than level A.</p> <p>Example: UNA:+.?' '</p> <p>Example: UNA:+.?' '</p>						

Max. Occ. = Maximum Occurrence, St = Status, * = Restricted Codes
 Status: M=Mandatory, R=Required, O=Optional, C=Conditional, D=Dependent, A=Advised, N=Not used

Segment Layout

No. Seg	St	Max. Occ.			
2	UNB	M 1	Interchange header To start, identify and specify an interchange.		
Business Term	DE	EDIFACT	Format	St	* Description
	S001	Syntax identifier		M	See Part I chapter 5.2.7 and segment notes.
	0001	Syntax identifier	a4	M	* UNOA UN/ECE level A UNOB UN/ECE level B UNOC UN/ECE level C UNOD UN/ECE level D UNOE UN/ECE level E UNOF UN/ECE level F
	0002	Syntax version number	n1	M	* 3 Version 3
	S002	Interchange sender		M	
	0004	Sender identification	an..35	M	GLN (n13)
	0007	Partner identification code qualifier	an..4	R	* 14 GS1
	0008	Address for reverse routing	an..14	O	
	S003	Interchange recipient		M	
	0010	Recipient identification	an..35	M	GLN (n13)
	0007	Partner identification code qualifier	an..4	R	* 14 GS1
	0014	Routing address	an..14	O	
	S004	Date/time of preparation		M	
	0017	Date of preparation	n6	M	YYMMDD
	0019	Time of preparation	n4	M	HHMM
	0020	Interchange control reference	an..14	M	Unique reference identifying the interchange. Created by the interchange sender.
	S005	Recipient's reference, password		O	
	0022	Recipient's reference/ password	an..14	M	
	0025	Recipient's reference/ password qualifier	an2	O	
	0026	Application reference	an..14	O	Message identification if the interchange contains only one type of message.
	0029	Processing priority code	a1	O	A Highest priority
	0031	Acknowledgement request	n1	O	1 Requested
	0032	Communications agreement ID	an..35	O	* EANCOM.....
	0035	Test indicator	n1	O	1 Interchange is a test

Max. Occ. = Maximum Occurrence, St = Status, * = Restricted Codes

Status: M=Mandatory, R=Required, O=Optional, C=Conditional, D=Dependent, A=Advised, N=Not used

Segment Layout

This segment is used to envelope the interchange, as well as to identify both, the party to whom the interchange is sent and the party who has sent the interchange. The principle of the UNB segment is the same as a physical envelope which covers one or more letters or documents, and which details, both the address where delivery is to take place and the address from where the envelope has come.

S001: The character encoding specified in basic code table of ISO/IEC 646 (7-bit coded character set for information interchange) shall be used for the interchange service string advice (if used) and up to and including the composite data element S001 'Syntax identifier' in the interchange header. The character repertoire used for the characters in an interchange shall be identified from the code value of data element 0001 in S001 'Syntax identifier' in the interchange header. The character repertoire identified does not apply to objects and/or encrypted data.

The default encoding technique for a particular repertoire shall be the encoding technique defined by its associated character set specification.

DE 0001: The recommended (default) character set for use in EANCOM® for international exchanges is character set A (UNOA). Should users wish to use character sets other than A, an agreement on which set to use should be reached on a bilateral basis before communications begin.

DE 0004, 0008, 0010, 0014, 0042 and 0046: Within EANCOM® the use of the Global Location Number (GLN) is recommended for the identification of the interchange sender and recipient.

DE 0008: Identification (e.g. a division) specified by the sender of the interchange, to be included if agreed, by the recipient in response interchanges, to facilitate internal routing.

DE 0042: Sub-level of sender internal identification, when further sub-level identification is required.

DE 0014: The address for routing, provided beforehand by the interchange recipient, is used by the interchange sender to inform the recipient of the internal address, within the latter's systems, to which the interchange should be routed. It is recommended that the GLN be used for this purpose.

DE 0007: Identification (e.g. a division) specified by the recipient of the interchange, to be included if agreed, by the sender in response interchanges, to facilitate internal routing.

DE 0046: Sub-level of recipient internal identification, when further sub-level identification is required.

DE S004: The date and time specified in this composite should be the date and time at which the interchange sender prepared the interchange. This date and time may not necessarily be the same as the date and time of contained messages.

DE 0020: The interchange control reference number is generated by the interchange sender and is used to identify uniquely each interchange. Should the interchange sender wish to re-use interchange control reference numbers, it is recommended that each number be preserved for at least a period of three months before being re-used. In order to guarantee uniqueness, the interchange control reference number should always be linked to the interchange sender's identification (DE 0004).

DE S005: The use of passwords must first be agreed bilaterally by the parties exchanging the interchange.

DE 0026: This data element is used to identify the application, on the interchange recipient's system, to which the interchange is directed. This data element may only be used if the interchange contains only one type of message, (e.g. only invoices). The reference used in this data element is assigned by the interchange sender.

DE 0031: This data element is used to indicate whether an acknowledgement to the interchange is required. The EANCOM® APERAK or CONTRL message should be used to provide acknowledgement of interchange receipt. In addition, the EANCOM® CONTRL message may be used to indicate when an interchange has been rejected due to syntax errors.

DE 0032: This data element is used to identify any underlying agreements which control the exchange of data. Within EANCOM®, the identity of such agreements must start with the letters 'EANCOM', the remaining characters within the data element being filled according to bilateral

Max. Occ. = Maximum Occurrence, St = Status, * = Restricted Codes

Status: M=Mandatory, R=Required, O=Optional, C=Conditional, D=Dependent, A=Advised, N=Not used

Segment Layout

agreements.

Example: UNB+UNOA:3+4012345000009:14:1+4000004000002:14:4000004000099+021013:1043+12345555+
REF:AA++A+1+EANCOM-DISI+1'

Example: UNB+UNOA:3+5412345678908:14+8798765432106:14+020102:1000+12345555+++++EANCOMREF
52'

Max. Occ. = Maximum Occurrence, St = Status, * = Restricted Codes

Status: M=Mandatory, R=Required, O=Optional, C=Conditional, D=Dependent, A=Advised, N=Not used

Segment Layout

No. Seg	St	Max. Occ.				
3	UNH	M 1	Message header To head, identify and specify a message.			
Business Term	DE	EDIFACT	Format	St	*	Description
	0062	Message reference number	an..14	M		Senders unique message reference. Sequence number of messages in the interchange. DE 0062 in the UNT will have the same value. Generated by the sender.
	S009	Message identifier		M		
	0065	Message type	an..6	M	*	CONTRL Syntax and service report message
	0052	Message version number	an..3	M	*	D Draft version/ UN/EDIFACT Directory
	0054	Message release number	an..3	M	*	3 Third release, CONTRL message
	0051	Controlling agency	an..2	M	*	UN UN/CEFACT
	0057	Association assigned code	an..6	R	*	EAN004 GS1 version control number (GS1 Permanent Code)
<p>This segment is used to head, identify and specify a message. Example: Example: UNH+1+CONTRL:D:3:UN:EAN004' Example: UNH+ME000001+CONTRL:D:3:UN:EAN004'</p>						

Max. Occ. = Maximum Occurrence, St = Status, * = Restricted Codes
 Status: M=Mandatory, R=Required, O=Optional, C=Conditional, D=Dependent, A=Advised, N=Not used

Segment Layout

No. Seg	St	Max. Occ.				
4	UCI	M 1	Interchange response			
To identify the subject interchange, to indicate interchange receipt, to indicate acknowledgement or rejection (action taken) of the UNA, UNB and UNZ segments, and to identify any error related to these segments. Depending on the action code, it may also indicate the action taken on the functional groups and messages within that interchange.						
Business Term	DE	EDIFACT	Format	St	*	Description
	0020	Interchange control reference	an..14	M		
	S002	Interchange sender		M		
	0004	Sender identification	an..35	M		Global Location Number GLN - Format n13
	0007	Partner identification code qualifier	an..4	O	*	14 GS1
	0008	Address for reverse routing	an..14	O		
	S003	Interchange recipient		M		
	0010	Recipient identification	an..35	M		Global Location Number GLN - Format n13
	0007	Partner identification code qualifier	an..4	O	*	14 GS1
	0014	Routing address	an..14	O		
	0083	Action, coded	an..3	M		4 This level and all lower levels rejected 6 UNB/UNZ rejected (GS1 Permanent Code) 7 This level acknowledged, next lower level acknowledged if not explicitly rejected 8 Interchange received
	0085	Syntax error, coded	an..3	D	*	1 UNA not supported (GS1 Temporary Code) 2 Syntax level or version not supported 7 Interchange recipient not actual recipient 11 Password invalid (GS1 Temporary Code) 12 Invalid value 13 Missing 14 Value not supported in this

Max. Occ. = Maximum Occurrence, St = Status, * = Restricted Codes
 Status: M=Mandatory, R=Required, O=Optional, C=Conditional, D=Dependent, A=Advised, N=Not used

Segment Layout

Business Term	DE	EDIFACT	Format	St	*	Description
						position 15 Not supported in this position 16 Too many constituents 17 No agreement 18 Unspecified error 19 Invalid decimal notation 20 Character invalid as service character 21 Invalid character(s) 22 Invalid service character(s) 23 Unknown interchange sender 24 Too old 25 Test indicator not supported 26 Duplicate detected 27 Security function not supported 28 References do not match 29 Control count does not match number of instances received 30 Functional groups and messages mixed 32 Lower level empty 33 Invalid occurrence outside message or functional group 37 Invalid type of character(s) 39 Data element too long 40 Data element too short 41 Permanent communication network error 42 Temporary communication network error

Max. Occ. = Maximum Occurrence, St = Status, * = Restricted Codes
 Status: M=Mandatory, R=Required, O=Optional, C=Conditional, D=Dependent, A=Advised, N=Not used

Segment Layout

Business Term	DE	EDIFACT	Format	St	*	Description
						43 Unknown interchange recipient
	0013	Service segment tag, coded	a3	D		
	S011	Data element identification		D		
	0098	Erroneous data element position in segment	n..3	M		
	0104	Erroneous component data element position	n..3	O		

This segment is used to identify the interchange being responded to.
 The segment may also be used to indicate acknowledgement or rejection of the UNA, UNB and UNZ segments and any errors present in these segments.
 DE's 0020, S002 and S003: To identify the interchange being responded to these data elements must contain the same values as were specified in the UNB segment of the original interchange.
 DE's 0083 and 0085: These data elements are used to indicate the status of the interchange and in cases where errors are present to identify the error.
 DE's 0013, S011: If there are errors in the UNA, UNB or UNZ segments the segment in question and the position of the error in the segment may be identified in these data elements.
 Example:
 Interchange number 10001 from the party identified by the Global Location Number GLN 5412345000013 to the party identified by the Global Location Number GLN 5412345000020 has been received.
 Dependency Notes:
 Data elements 0085, 0013 and S011 are only used when errors are being reported.
 Example: UCI+1+X:14:X+X:14:X+4+1+UCD+123:123'
 Example: UCI+10001+5412345000013:14+5412345000020:14+8'

Segment Layout

No. Seg	St	Max. Occ.			
SG1	C	999999	UCM-SG2		
A group of segments sent in response to a message in the subject interchange identified in the UCI segment. This segment group is only used if the subject interchange does not contain functional groups.					
5	UCM	M 1	Message response		
To identify a message in the subject interchange, and to indicate that message's acknowledgement or rejection (action taken), and to identify any error related to the UNH and UNT segments.					
Business Term	DE	EDIFACT	Format	St	* Description
	0062	Message reference number	an..14	M	
	S009	Message identifier		M	
	0065	Message type	an..6	M	
	0052	Message version number	an..3	M	
	0054	Message release number	an..3	M	
	0051	Controlling agency	an..2	M	
	0057	Association assigned code	an..6	R	
	0083	Action, coded	an..3	M	4 This level and all lower levels rejected 7 This level acknowledged, next lower level acknowledged if not explicitly rejected
	0085	Syntax error, coded	an..3	D	* 3 Message version/release not supported (GS1 Temporary Code) 12 Invalid value 13 Missing 14 Value not supported in this position 15 Not supported in this position 16 Too many constituents 17 No agreement 18 Unspecified error 21 Invalid character(s) 22 Invalid service character(s) 23 Unknown interchange

Max. Occ. = Maximum Occurrence, St = Status, * = Restricted Codes

Status: M=Mandatory, R=Required, O=Optional, C=Conditional, D=Dependent, A=Advised, N=Not used

Segment Layout

Business Term	DE	EDIFACT	Format	St	*	Description
						sender 25 Test indicator not supported 26 Duplicate detected 27 Security function not supported 28 References do not match 29 Control count does not match number of instances received 30 Functional groups and messages mixed 31 More than one message type in group 34 Nesting indicator not allowed 37 Invalid type of character(s) 39 Data element too long 40 Data element too short
	0013	Service segment tag, coded	a3	D		
	S011	Data element identification		D		
	0098	Erroneous data element position in segment	n..3	M		
	0104	Erroneous component data element position	n..3	O		

This segment is used to identify specific messages within the interchange identified in the previous UCI segment.

This segment is similar in layout to the UNH segment (data elements 0062 to 0057 inclusive) and should contain the same information as that contained in the UNH segment.

DE's 0083 and 0085: These data elements are used to indicate the status of the message and in cases where errors are present to identify the error.

DE's 0013, S011: If there are errors in the UNH or UNT segments the segment in question and the position of the error in the segment may be identified in these data elements.

Example:

Message reference ME002341, an INVOIC message, has been rejected because the mandatory data element 0062 has not been included in the UNH segment position 2.

Dependency Notes:

Data elements 0085, 0013 and S011 are only used when errors are being reported.

Example: UCM+1+CONTRL :D:01B:UN: EAN001+4+3+UCD+1:1'

Example: UCM+ME002341+INVOIC:D:01B:UN: EAN010+4+13+UNH+2'

Max. Occ. = Maximum Occurrence, St = Status, * = Restricted Codes

Status: M=Mandatory, R=Required, O=Optional, C=Conditional, D=Dependent, A=Advised, N=Not used

Segment Layout

No. Seg	St	Max. Occ.			
SG1	C	999999	UCM-SG2		
A group of segments sent in response to a message in the subject interchange identified in the UCI segment. This segment group is only used if the subject interchange does not contain functional groups.					
SG2	C	999	UCS-UCD		
A group of segments sent in response to a segment containing one or more errors, and which was part of the message identified by the UCM segment in segment group 1.					
6	UCS	M 1	Segment error indication		
To identify either a segment containing an error or a missing segment, and to identify any error related to the complete segment.					
Business Term	DE	EDIFACT	Format	St	* Description
	0096	Segment position in message	n..6	M	
	0085	Syntax error, coded	an..3	O	* <ul style="list-style-type: none"> 6 Data segment missing/invalid (GS1 Temporary Code) 12 Invalid value 13 Missing 14 Value not supported in this position 15 Not supported in this position 16 Too many constituents 18 Unspecified error 21 Invalid character(s) 22 Invalid service character(s) 27 Security function not supported 34 Nesting indicator not allowed 35 Too many segment repetitions 36 Too many segment group repetitions
This segment is used to identify the position of a segment within a message. This segment is only used to identify segments within the message identified in the UCM segment which have errors. Example: Example: UCS+1+6 ' Example: UCS+3+12 '					

Max. Occ. = Maximum Occurrence, St = Status, * = Restricted Codes
 Status: M=Mandatory, R=Required, O=Optional, C=Conditional, D=Dependent, A=Advised, N=Not used

Segment Layout

No. Seg	St	Max. Occ.			
SG1	C	999999	UCM-SG2		
A group of segments sent in response to a message in the subject interchange identified in the UCI segment. This segment group is only used if the subject interchange does not contain functional groups.					
SG2	C	999	UCS-UCD		
A group of segments sent in response to a segment containing one or more errors, and which was part of the message identified by the UCM segment in segment group 1.					
7	UCD	C 99	Data element error indication		
To identify an erroneous simple, composite or component data element, and to identify the nature of the error.					
Business Term	DE	EDIFACT	Format	St	* Description
	0085	Syntax error, coded	an..3	M	* <ul style="list-style-type: none"> 9 Mandatory data element missing (GS1 Temporary Code) 12 Invalid value 13 Missing 14 Value not supported in this position 15 Not supported in this position 16 Too many constituents 18 Unspecified error 19 Invalid decimal notation 21 Invalid character(s) 22 Invalid service character(s) 27 Security function not supported 34 Nesting indicator not allowed 37 Invalid type of character(s) 38 Missing digit in front of decimal sign 39 Data element too long 40 Data element too short
	S011	Data element identification		M	
	0098	Erroneous data	n..3	M	

Max. Occ. = Maximum Occurrence, St = Status, * = Restricted Codes
 Status: M=Mandatory, R=Required, O=Optional, C=Conditional, D=Dependent, A=Advised, N=Not used

Segment Layout

Business Term	DE	EDIFACT	Format	St	*	Description
		element position in segment				
	0104	Erroneous component data element position	n..3	O		
<p>This segment is used to identify the position of a component or composite data element within a segment. This segment is only used to identify component or composite data elements within the segment identified in the UCS segment which have errors.</p> <p>Example:</p> <p>Example: UCD+9+1:1'</p> <p>Example: UCD+12+4:4'</p>						

Max. Occ. = Maximum Occurrence, St = Status, * = Restricted Codes
 Status: M=Mandatory, R=Required, O=Optional, C=Conditional, D=Dependent, A=Advised, N=Not used

Segment Layout

No. Seg	St	Max. Occ.			
8	UNT	M 1	Message trailer To end and check the completeness of a message.		
Business Term	DE	EDIFACT	Format	St	* Description
	0074	Number of segments in the message	n..6	M	The total number of segments in the message is specified here.
	0062	Message reference number	an..14	M	The message reference numbered detailed here should equal the one specified in the UNH segment.
<p>This segment is a mandatory UN/EDIFACT segment. It must always be the last segment in the message. Example: Example: UNT+6+1' Example: UNT+6+ME000001'</p>					

Max. Occ. = Maximum Occurrence, St = Status, * = Restricted Codes
 Status: M=Mandatory, R=Required, O=Optional, C=Conditional, D=Dependent, A=Advised, N=Not used

Segment Layout

No. Seg	St	Max. Occ.				
9	UNZ	M 1	Interchange trailer To end and check the completeness of an interchange.			
Business Term	DE	EDIFACT	Format	St	*	Description
	0036	Interchange control count	n..6	M		Number of messages or functional groups within an interchange.
	0020	Interchange control reference	an..14	M		Identical to DE 0020 in UNB segment.
<p>This segment is used to provide the trailer of an interchange. DE 0036: If functional groups are used, this is the number of functional groups within the interchange. If functional groups are not used, this is the number of messages within the interchange.</p> <p>Example: UNZ+1+12345555 ' Example: UNZ+5+12345555 '</p>						

Max. Occ. = Maximum Occurrence, St = Status, * = Restricted Codes
 Status: M=Mandatory, R=Required, O=Optional, C=Conditional, D=Dependent, A=Advised, N=Not used

Used Codes

0001	<p>Syntax identifier Coded identification of the agency controlling a syntax and syntax level used in an interchange.</p> <p>Notes: 1. a3, upper case, Controlling Agency (e.g. UNO=UN/ECE) and a1 stating level (e.g. A) (which together give UNOA).</p>
UNOA	<p>UN/ECE level A As defined in the basic code table of ISO 646 with the exceptions of lower case letters, alternative graphic character allocations and national or application-oriented graphic character allocations.</p>
UNOB	<p>UN/ECE level B As defined in the basic code table of ISO 646 with the exceptions of alternative graphic character allocations and national or application-oriented graphic character allocations.</p>
UNOC	<p>UN/ECE level C As defined in ISO/IEC 8859-1 : Information technology - Part 1: Latin alphabet No. 1.</p>
UNOD	<p>UN/ECE level D As defined in ISO/IEC 8859-2 : Information technology - Part 2: Latin alphabet No. 2.</p>
UNOE	<p>UN/ECE level E As defined in ISO/IEC 8859-5 : Information technology - Part 5: Latin/Cyrillic alphabet.</p>
UNOF	<p>UN/ECE level F As defined in ISO 8859-7 : Information processing - Part 7: Latin/Greek alphabet.</p>
0002	<p>Syntax version number Version number of the syntax identified in the syntax identifier (0001)</p> <p>Notes: 1. Increments 1 for each version.</p>
3	<p>Version 3 ISO 9735 Amendment 1:1992. GS1 Description: Syntax version number 3. This code can be used with all of the character sets (A, B, C, D, E and F).</p>

Used Codes

0007	<p>Partner identification code qualifier Qualifier referring to the source of codes for the identifiers of interchanging partners.</p> <p>Notes: 1. Used with sender/recipient identification code.</p>
14	<p>GS1 Partner identification code assigned by GS1, an international organization of GS1 Member Organizations that manages the GS1 System.</p>
0013	<p>Service segment tag, coded Code identifying a segment.</p>
UCD	<p>Data element error indication To identify an erroneous simple, composite or component data element, and to identify the nature of the error.</p>
UCF	<p>Functional group response To identify a functional group in the subject interchange and to indicate acknowledgement or rejection (action taken) of the UNG and UNE segments, and to identify any error related to these segments. Depending on the action code, it may also indicate the action taken on the messages within that functional group.</p>
UCI	<p>Interchange response To identify the subject interchange, to indicate interchange receipt, to indicate acknowledgement or rejection (action taken) of the UNA, UNB and UNZ segments, and to identify any error related to these segments. Depending on the action code, it may also indicate the action taken on the functional groups and messages within that interchange.</p>
UCM	<p>Message response To identify a message in the subject interchange, and to indicate that message's acknowledgement or rejection (action taken), and to identify any error related to the UNH and UNT segments.</p>
UCS	<p>Segment error indication To identify either a segment containing an error or a missing segment, and to identify any error related to the complete segment.</p>
UNA	<p>Service string advice To define the characters selected for use as delimiters and indicators in the rest of the interchange that follows.</p>
UNB	<p>Interchange header To start, identify and specify an interchange.</p>
UNE	<p>Functional group trailer To end and check the completeness of a functional group.</p>
UNG	<p>Functional group header To head, identify and specify a functional group.</p>

Used Codes

UNH	Message header To head, identify and specify a message.
UNS	Section control To separate header, detail and summary sections of a message.
UNT	Message trailer To end and check the completeness of a message.
UNZ	Interchange trailer To end and check the completeness of an interchange.
0025	Recipient's reference/password qualifier Qualifier for the recipient's reference or password. Notes: 1. If specified in IA.
AA	Reference Recipient's reference/password is a reference.
BB	Password Recipient's reference/password is a password.
0029	Processing priority code Code determined by the sender requesting processing priority for the interchange. Notes: 1. Used if specified in IA.
A	Highest priority Requested processing priority is the highest.
0031	Acknowledgement request Code determined by the sender for acknowledgement of the interchange. Notes: 1. Set = 1 if sender requests acknowledgement, i.e. UNB and UNZ segments received and identified.
1	Requested Acknowledgement is requested.
0035	Test indicator Indication that the interchange is a test. Notes: 1. Set = 1 if the interchange is a test. Otherwise not used.

Used Codes

1	Interchange is a test Indicates that the interchange is a test.
5	Interchange is a service provider test Indicates that this interchange is a test with a service provider.
0051	Controlling agency Code to identify the agency controlling the specification, maintenance and publication of the message type.
AA	EDICONSTRUCT French construction project.
AB	DIN (Deutsches Institut fuer Normung) German standardization institute.
AC	ICS (International Chamber of Shipping) The International Chamber of Shipping.
AD	UPU (Union Postale Universelle) Universal Postal Union.
AE	United Kingdom ANA (Article Numbering Association) Identifies the Article Numbering Association of the United Kingdom.
AF	ANSI ASC X12 (American National Standard Institute Accredited Standards Committee X12) Identifies the United States electronic data interchange standards body.
AG	US DoD (United States Department of Defense) The United States Department of Defense is the entity controlling the message specification.
AH	US Federal Government The United States Federal Government is the entity controlling the message specification.
AI	EDIFICAS European EDI association for financial, informational, cost, accounting, auditing and social areas.
AJ	UN/ECE/TRANS United Nations Economic Commission for Europe (UN/ECE), Sustainable Transport Division (TRANS)
CC	CCC (Customs Co-operation Council) The Customs Co-operation Council.
CE	CEFIC (Conseil Europeen des Federations de l'Industrie Chimique) EDI project for chemical industry.
EC	EDICON UK Construction project.

Used Codes

ED	EDIFICE (Electronic industries project) EDI Forum for companies with Interest in Computing and Electronics (EDI project for EDP/ADP sector).
EE	EC + EFTA (European Communities and European Free Trade Association) The European Communities and the European Free Trade Association.
EN	GS1 Partner identification code assigned by GS1, an international organization of GS1 Member Organizations that manages the GS1 System.
ER	UIC (International Union of railways) European railways.
EU	European Union The European Union.
EW	UN/EDIFACT Working Group (EWG) United Nations working group responsible for UN/EDIFACT (United Nations, Electronic Data Interchange for Administration, Commerce and Transport).
EX	IECC (International Express Carriers Conference) The International Express Carriers Conference.
IA	IATA (International Air Transport Association) The International Air Transport Association.
KE	KEC (Korea EDIFACT Committee) The Korea EDIFACT Committee.
LI	LIMNET UK Insurance project.
OD	ODETTE (Organization for Data Exchange through Tele-Transmission in Europe) European automotive industry project.
RI	RINET (Reinsurance and Insurance Network) The Reinsurance and Insurance Network.
RT	UN/ECE/TRADE/WP.4/GE.1/EDIFACT Rapporteurs' Teams United Nations Economic UN Economic Commission for Europe (UN/ECE), Committee on the development of trade (TRADE), Working Party on facilitation of international trade procedures (WP.4), Group of Experts on data elements and automatic data interchange (GE.1), EDIFACT Rapporteurs' Teams.
UN	UN/CEFACT United Nations Centre for Trade Facilitation and Electronic Business (UN/CEFACT). GS1 Description: UN Economic Commission for Europe (UN/ECE), Committee on the development of trade (TRADE), Working Party on facilitation of international trade procedures (WP.4).

Used Codes

0052

Message version number
Version number of a message type.

Notes:

1. If UNG/UNE is used, shall be identical in UNG and UNE.
The representation of 0052 was specified as n..3 in version 1 of ISO 9735.

1	Status 1 version Message approved and issued as a status 1 (trial) message. (Valid for directories published after March 1990 and prior to March 1993).
2	Status 2 version Message approved and issued as a status 2 (formal recommendation) message. (Valid for directories published after March 1990 and prior to March 1993).
88	1988 version Message approved and issued in the 1988 release of the UNTDID (United Nations Trade Data Interchange Directory) as a status 2 (formal recommendation) message.
89	1989 version Message approved and issued in the 1989 release of the UNTDID (United Nations Trade Data Interchange Directory) as a status 2 (formal recommendation) message.
90	1990 version Message approved and issued in the 1990 release of the UNTDID (United Nations Trade Data Interchange Directory) as a status 2 (formal recommendation) message.
D	Draft version/UN/EDIFACT Directory Message approved and issued as a draft message (Valid for directories published after March 1993 and prior to March 1997). Message approved as a standard message (Valid for directories published after March 1997).
S	Standard version Message approved and issued as a standard message. (Valid for directories published after March 1993 and prior to March 1997).

0054

Message release number
Release number within the current message type version number (0052).

Notes:

1. The representation of 0054 was specified as n..3 in version 1 of ISO 9735.

1	First release Message approved and issued in the first release of the year of the UNTDID (United Nations Trade Data Interchange Directory). (Valid for directories published prior to March 1990)
---	--

Used Codes

2	<p>Second release</p> <p>Message approved and issued in the second release of the year of the UNTDID (United Nations Trade Data Interchange Directory) (Valid for directories published prior to March 1990).</p>
3	<p>Third release, CONTRL message</p> <p>Third release of the service message type CONTRL. Approved and issued as document TRADE/WP.4/R.1186/Rev.1 (including Corr.1) for use with version 2 and 3 of the syntax.</p> <p>Notes: This code shall only be used with the CONTRL message.</p>
902	<p>Trial release 1990</p> <p>Message approved and issued in the 1990 status 1 (trial) release of the UNTDID (United Nations Trade Data Interchange Directory).</p>
911	<p>Trial release 1991</p> <p>Message approved and issued in the 1991 status 1 (trial) release of the UNTDID (United Nations Trade Data Interchange Directory).</p>
912	<p>Standard release 1991</p> <p>Message approved and issued in the 1991 status 2 (standard) release of the UNTDID (United Nations Trade Data Interchange Directory).</p>
921	<p>Trial release 1992</p> <p>Message approved and issued in the 1992 status 1 (trial) release of the UNTDID (United Nations Trade Data Interchange Directory).</p>
932	<p>Standard release 1993</p> <p>Message approved and issued in the 1993 status 2 (standard) release of the UNTDID (United Nations Trade Data Interchange Directory).</p>
00A	<p>Release 2000 - A</p> <p>Message approved and issued in the first 2000 release of the UNTDID (United Nations Trade Data Interchange Directory).</p>
00B	<p>Release 2000 - B</p> <p>Message approved and issued in the second 2000 release of the UNTDID (United Nations Trade Data Interchange Directory).</p>
01A	<p>Release 2001 - A</p> <p>Message approved and issued in the first 2001 release of the UNTDID (United Nations Trade Data Interchange Directory).</p>
01B	<p>Release 2001 - B</p> <p>Message approved and issued in the second 2001 release of the UNTDID (United Nations Trade Data Interchange Directory).</p>
01C	<p>Release 2001 - C</p> <p>Message approved and issued in the third 2001 release of the UNTDID (United Nations Trade Data Interchange Directory).</p>

Used Codes

02A	Release 2002 - A Message approved and issued in the first 2002 release of the UNTDID (United Nations Trade Data Interchange Directory).
02B	Release 2002 - B Message approved and issued in the second 2002 release of the UNTDID (United Nations Trade Data Interchange Directory).
03A	Release 2003 - A Message approved and issued in the first 2003 release of the UNTDID (United Nations Trade Data Interchange Directory).
03B	Release 2003 - B Message approved and issued in the second 2003 release of the UNTDID (United Nations Trade Data Interchange Directory).
04A	Release 2004 - A Message approved and issued in the first 2004 release of the UNTDID (United Nations Trade Data Interchange Directory).
04B	Release 2004 - B Message approved and issued in the second 2004 release of the UNTDID (United Nations Trade Data Interchange Directory).
05A	Release 2005 - A Message approved and issued in the first 2005 release of the UNTDID (United Nations Trade Data Interchange Directory).
05B	Release 2005 - B Message approved and issued in the second 2005 release of the UNTDID (United Nations Trade Data Interchange Directory).
06A	Release 2006 - A Message approved and issued in the first 2006 release of the UNTDID (United Nations Trade Data Interchange Directory).
06B	Release 2006 - B Message approved and issued in the second 2006 release of the UNTDID (United Nations Trade Data Interchange Directory).
07A	Release 2007 - A Message approved and issued in the first 2007 release of the UNTDID (United Nations Trade Data Interchange Directory).
07B	Release 2007 - B Message approved and issued in the second 2007 release of the UNTDID (United Nations Trade Data Interchange Directory).
08A	Release 2008 - A Message approved and issued in the first 2008 release of the UNTDID (United Nations Trade Data Interchange Directory).

Used Codes

08B	Release 2008 - B Message approved and issued in the second 2008 release of the UNTDID (United Nations Trade Data Interchange Directory).
09A	Release 2009 - A Message approved and issued in the first 2009 release of the UNTDID (United Nations Trade Data Interchange Directory).
09B	Release 2009 - B Message approved and issued in the second 2009 release of the UNTDID (United Nations Trade Data Interchange Directory).
10A	Release 2010 - A Message approved and issued in the first 2010 release of the UNTDID (United Nations Trade Data Interchange Directory).
10B	Release 2010 - B Message approved and issued in the second 2010 release of the UNTDID (United Nations Trade Data Interchange Directory).
11A	Release 2011 - A Message approved and issued in the first 2011 release of the UNTDID (United Nations Trade Data Interchange Directory).
11B	Release 2011 - B Message approved and issued in the second 2011 release of the UNTDID (United Nations Trade Data Interchange Directory).
12A	Release 2012 - A Message approved and issued in the first 2012 release of the UNTDID (United Nations Trade Data Interchange Directory).
12B	Release 2012 - B Message approved and issued in the second 2012 release of the UNTDID (United Nations Trade Data Interchange Directory).
13A	Release 2013 - A Message approved and issued in the first 2013 release of the UNTDID (United Nations Trade Data Interchange Directory).
13B	Release 2013 - B Message approved and issued in the second 2013 release of the UNTDID (United Nations Trade Data Interchange Directory).
14A	Release 2014 - A Message approved and issued in the first 2014 release of the UNTDID (United Nations Trade Data Interchange Directory).
14B	Release 2014 - B Message approved and issued in the second 2014 release of the UNTDID (United Nations Trade Data Interchange Directory).

Used Codes

15A	Release 2015 - A Message approved and issued in the first 2015 release of the UNTDID (United Nations Trade Data Interchange Directory).
15B	Release 2015 - B Message approved and issued in the second 2015 release of the UNTDID (United Nations Trade Data Interchange Directory).
16A	Release 2016 - A Message approved and issued in the first 2016 release of the UNTDID (United Nations Trade Data Interchange Directory).
16B	Release 2016 - B Message approved and issued in the second 2016 release of the UNTDID (United Nations Trade Data Interchange Directory).
17A	Release 2017 - A Message approved and issued in the first 2017 release of the UNTDID (United Nations Trade Data Interchange Directory).
17B	Release 2017 - B Message approved and issued in the second 2017 release of the UNTDID (United Nations Trade Data Interchange Directory).
18A	Release 2018 - A Message approved and issued in the first 2018 release of the UNTDID (United Nations Trade Data Interchange Directory).
18B	Release 2018 - B Message approved and issued in the second 2018 release of the UNTDID (United Nations Trade Data Interchange Directory).
19A	Release 2019 - A Message approved and issued in the first 2019 release of the UNTDID (United Nations Trade Data Interchange Directory).
19B	Release 2019 - B Message approved and issued in the second 2019 release of the UNTDID (United Nations Trade Data Interchange Directory).
20A	Release 2020 - A Message approved and issued in the first 2020 release of the UNTDID (United Nations Trade Data Interchange Directory).
20B	Release 2020 - B Message approved and issued in the second 2020 release of the UNTDID (United Nations Trade Data Interchange Directory).
21A	Release 2021 - A Message approved and issued in the first 2021 release of the UNTDID (United Nations Trade Data Interchange Directory).

Used Codes

93A	Release 1993 - A Message approved and issued in the 1993 release of the UNTDID (United Nations Trade Data Interchange Directory).
94A	Release 1994 - A Message approved and issued in the first 1994 release of the UNTDID (United Nations Trade Data Interchange Directory).
94B	Release 1994 - B Message approved and issued in the second 1994 release of the UNTDID (United Nations Trade Data Interchange Directory).
95A	Release 1995 - A Message approved and issued in the first 1995 release of the UNTDID (United Nations Trade Data Interchange Directory).
95B	Release 1995 - B Message approved and issued in the second 1995 release of the UNTDID (United Nations Trade Data Interchange Directory).
96A	Release 1996 - A Message approved and issued in the first 1996 release of the UNTDID (United Nations Trade Data Interchange Directory).
96B	Release 1996 - B Message approved and issued in the second 1996 release of the UNTDID (United Nations Trade Data Interchange Directory).
97A	Release 1997 - A Message approved and issued in the first 1997 release of the UNTDID (United Nations Trade Data Interchange Directory).
97B	Release 1997 - B Message approved and issued in the second 1997 release of the UNTDID (United Nations Trade Data Interchange Directory).
98A	Release 1998 - A Message approved and issued in the first 1998 release of the UNTDID (United Nations Trade Data Interchange Directory).
98B	Release 1998 - B Message approved and issued in the second 1998 release of the UNTDID (United Nations Trade Data Interchange Directory).
99A	Release 1999 - A Message approved and issued in the first 1999 release of the UNTDID (United Nations Trade Data Interchange Directory).
99B	Release 1999 - B Message approved and issued in the second 1999 release of the UNTDID (United Nations Trade Data Interchange Directory).

Used Codes

0057	Association assigned code A code assigned by the association responsible for the design and maintenance of the message type concerned, which further identifies the message.
EAN001	GS1 version control number (GS1 Permanent Code) Indicates that the message is an EANCOM message in version 001.
EAN002	GS1 version control number (GS1 Permanent Code) Indicates that the message is an EANCOM message in version 002.
EAN003	GS1 version control number (GS1 Permanent Code) Indicates that the message is an EANCOM message in version 003.
EAN004	GS1 version control number (GS1 Permanent Code) Indicates that the message is an EANCOM message in version 004.
EAN005	GS1 version control number (GS1 Permanent Code) Indicates that the message is an EANCOM message in version 005.
EAN006	GS1 version control number (GS1 Permanent Code) Indicates that the message is an EANCOM message in version 006.
EAN007	GS1 version control number (GS1 Permanent Code) Indicates that the message is an EANCOM message in version 007.
EAN008	GS1 version control number (GS1 Permanent Code) Indicates that the message is an EANCOM message in version 008.
EAN009	GS1 version control number (GS1 Permanent Code) Indicates that the message is an EANCOM message in version 009.
EAN010	GS1 version control number (GS1 Permanent Code) Indicates that the message is an EANCOM message in version 010.
EAN011	GS1 version control number (GS1 Permanent Code) Indicates that the message is an EANCOM message in version 011.
GDSN23	GDSN version 2.3 (GS1 Permanent Code) Indicates that the message is a Global Data Synchronization Network version 2.3 message.

0065	Message type Code identifying a type of message and assigned by its controlling agency. Notes: 1. Type of message being transmitted.
-------------	---

Used Codes

APERAK	<p>Application error and acknowledgement message A code to identify the application error and acknowledgement message. GS1 Description: The function of this message is: a) to inform a message issuer that his message has been received by the addressee's application and has been rejected due to errors encountered during its processing in the application. b) to acknowledge to a message issuer the receipt of his message by the addressee's application.</p>
AUTHOR	<p>Authorization message A code to identify the authorization message.</p>
BALANC	<p>Balance message A code to identify the balance message.</p>
BANSTA	<p>Banking status message A code to identify the banking status message. GS1 Description: Message sent by the receiver of a previously sent-message to report on the status of processing of this original message. It indicates, at the application level, the acceptance or rejection of the message or the ability for the receiver of the message to execute or not the instructions received.</p>
BAPLIE	<p>Bayplan/stowage plan occupied and empty locations message A code to identify the bayplan/stowage plan occupied and empty locations message.</p>
BERMAN	<p>Berth management message A code to identify the berth management message.</p>
BMISRM	<p>Bulk marine inspection summary report message A code to identify the bulk marine inspection summary report message.</p>
BOPBNK	<p>Bank transactions and portfolio transactions report message A code to identify the bank transactions and portfolio transactions report message.</p>
BOPCUS	<p>Balance of payment customer transaction report message A code to identify the balance of payment customer transaction report message.</p>
BOPDIR	<p>Direct balance of payment declaration message A code to identify the direct balance of payment declaration message.</p>
BOPINF	<p>Balance of payment information from customer message A code to identify the balance of payment information from customer message.</p>
BUSCRD	<p>Business credit report message A code to identify the business credit report message.</p>
CALINF	<p>Vessel call information message A code to identify the vessel call information message.</p>

Used Codes

CASINT	Request for legal administration action in civil proceedings message A code to identify the request for legal administration action in civil proceedings message.
CASRES	Legal administration response in civil proceedings message A code to identify the legal administration response in civil proceedings message.
CHACCO	Chart of accounts message A code to identify the chart of accounts message.
CLASET	Classification information set message A code to identify the classification information set message.
CNTCND	Contractual conditions message A code to identify the contractual conditions message. GS1 Description: Message sent by a buyer to its supplier or by the supplier to the buyer, providing the contractual conditions of a previously negotiated contract in order to enable the automatic validation of orders and in the verification of invoices prior to payment.
COACSU	Commercial account summary message A code to identify the commercial account summary message. GS1 Description: A commercial account summary message enables the transmission of commercial data concerning payments made and outstanding items on an account over a period of time. The message may be sent at specific agreed fixed intervals or on demand, and may be sent to and, or, from trading parties, and, or their authorised agents.
COARRI	Container discharge/loading report message A code to identify the container discharge/loading report message.
CODECO	Container gate-in/gate-out report message A code to identify the container gate-in/gate-out report message.
CODENO	Permit expiration/clearance ready notice message A code to identify the permit expiration/clearance ready notice message.
COEDOR	Container stock report message A code to identify the container stock report message.
COHAOR	Container special handling order message A code to identify the container special handling order message.
COLREQ	Request for a documentary collection message A code to identify the request for a documentary collection message.

Used Codes

COMDIS	<p>Commercial dispute message A code to identify the commercial dispute message.</p> <p>GS1 Description: Message providing notice of commercial dispute against one or more invoices is usually raised by the buyer to notify the seller that something was found wrong with the goods delivered or the services rendered (goods damaged, delivery incomplete, delivery late, etc.). The dispute must be resolved before the related invoice can be settled. The message will be used to: - notify a dispute; - correspond about an existing dispute (structured information); - notify the settlement of a dispute. The message will serve at the same time as the dispute notice and as the dispute answer.</p>
CONAPW	<p>Advice on pending works message A code to identify the advice on pending works message.</p>
CONDPV	<p>Direct payment valuation message A code to identify the direct payment valuation message.</p>
CONDRA	<p>Drawing administration message A code to identify the drawing administration message.</p> <p>GS1 Description: The message will be used for the administration of each exchange of a set of engineering/CAD files. It will give additional information about the files; for example, their nature, a list of their contents and technical information necessary to interpret them. The whole process of exchanging engineering or CAD (Computer Aided Design) files between different parties within one project will be supported by EDIFACT messages. The message CONDRA is one of these messages.</p>
CONDRO	<p>Drawing organisation message A code to identify the drawing organisation message.</p>
CONEST	<p>Establishment of contract message A code to identify the establishment of contract message.</p>
CONITT	<p>Invitation to tender message A code to identify the invitation to tender message.</p>
CONPVA	<p>Payment valuation message A code to identify the payment valuation message.</p>
CONQVA	<p>Quantity valuation message A code to identify the quantity valuation message.</p>
CONRPW	<p>Response of pending works message A code to identify the response of pending works message.</p>
CONTEN	<p>Tender message A code to identify the tender message.</p>

Used Codes

CONTRL	Syntax and service report message A code to identify the syntax and service report message. GS1 Description: Message syntactically acknowledging or rejecting, with error indication, a received interchange, functional group or message.
CONWQD	Work item quantity determination message A code to identify the work item quantity determination message.
COPARN	Container announcement message A code to identify the container announcement message.
COPAYM	Contributions for payment A code to identify the contributions for payment.
COPINO	Container pre-notification message A code to identify the container pre-notification message.
COPRAR	Container discharge/loading order message A code to identify the container discharge/loading order message.
COREOR	Container release order message A code to identify the container release order message.
COSTCO	Container stuffing/stripping confirmation message A code to identify the container stuffing/stripping confirmation message.
COSTOR	Container stuffing/stripping order message A code to identify the container stuffing/stripping order message.
CREADV	Credit advice message A code to identify the credit advice message.
CREEXT	Extended credit advice message A code to identify the extended credit advice message.
CREMUL	Multiple credit advice message A code to identify the multiple credit advice message. GS1 Description: A Multiple Credit Advice message is sent by an Account Servicing Financial Institution to the Account Owner or to a third party, which has agreed bilaterally in advance, that its account(s) has been or will be credited for specified amount(s) on the date(s) indicated, in settlement of the referenced business transaction(s).
CUSCAR	Customs cargo report message A code to identify the customs cargo report message.
CUSDEC	Customs declaration message A code to identify the customs declaration message.
CUSEXP	Customs express consignment declaration message A code to identify the customs express consignment declaration message.

Used Codes

CUSPED	Periodic customs declaration message A code to identify the periodic customs declaration message.
CUSREP	Customs conveyance report message A code to identify the customs conveyance report message.
CUSRES	Customs response message A code to identify the customs response message.
DAPLOS	Data plot sheet message A code to identify the data plot sheet message.
DEBADV	Debit advice message A code to identify the debit advice message.
DEBMUL	Multiple debit advice message A code to identify the multiple debit advice message. GS1 Description: A Multiple Debit Advice message is sent by an Account Servicing Financial Institution to the Account Owner or to a third party, which has agreed bilaterally in advance, that its account(s) has been or will be debited for specified amount(s) on the date(s) indicated, in settlement of the referenced business transaction(s).
DEBREC	Debts recovery message A code to identify the debts recovery message.
DELFOR	Delivery schedule message A code to identify the delivery schedule message. GS1 Description: Message from buyer to supplier giving product requirements regarding details for short term delivery instructions and/or medium to long term product/service forecast for planning purposes according to conditions set out in a contract or order. The message can be used to authorize the commitment of labour and materials resources.
DELJIT	Delivery just in time message A code to identify the delivery just in time message.
DESADV	Despatch advice message A code to identify the despatch advice message. GS1 Description: A message specifying details for goods despatched or ready for despatch under agreed conditions. The United Nations Despatch Advice Message serves both as a specification for Delivery Despatch Advice and also as a Returns Despatch Advice message.
DESTIM	Equipment damage and repair estimate message A code to identify the equipment damage and repair estimate message.
DGRECA	Dangerous goods recapitulation message A code to identify the dangerous goods recapitulation message.

Used Codes

DIRDEB	<p>Direct debit message A code to identify the direct debit message. GS1 Description: Message sent by the creditor to the creditor's bank instructing it to claim specified amounts from the debtor(s) and to credit these amounts to a single account it services for the creditor in settlement of the referenced transaction(s).</p>
DIRDEF	<p>Directory definition message A code to identify the directory definition message.</p>
DMRDEF	<p>Data maintenance request definition message A code to identify the data maintenance request definition message.</p>
DMSTAT	<p>Data maintenance status report/query message A code to identify the data maintenance status report/query message.</p>
DOCADV	<p>Documentary credit advice message A code to identify the documentary credit advice message.</p>
DOCAMA	<p>Advice of an amendment of a documentary credit message A code to identify the advice of an amendment of a documentary credit message.</p>
DOCAMI	<p>Documentary credit amendment information message A code to identify the documentary credit amendment information message.</p>
DOCAMR	<p>Request for an amendment of a documentary credit message A code to identify the request for an amendment of a documentary credit message.</p>
DOCAPP	<p>Documentary credit application message A code to identify the documentary credit application message.</p>
DOCARE	<p>Response to an amendment of a documentary credit message A code to identify the response to an amendment of a documentary credit message.</p>
DOCINF	<p>Documentary credit issuance information message A code to identify the documentary credit issuance information message.</p>
ENTREC	<p>Accounting entries message A code to identify the accounting entries message.</p>
FINCAN	<p>Financial cancellation message A code to identify the financial cancellation message. GS1 Description: A Financial Cancellation Message is sent by the Ordering Customer (or Payor or Agent on behalf of the Ordering Customer) or by a third party having authority on the Ordering Customer's payments to the Ordered Bank to request cancellation of a given financial message or transaction.</p>
FINPAY	<p>Multiple interbank funds transfer message A code to identify the multiple interbank funds transfer message.</p>

Used Codes

FINSTA	<p>Financial statement of an account message A code to identify the financial statement of an account message. GS1 Description: This message can be used to cater for various communication functions between financial institutions and their customers. The most frequent function is to provide a statement of booked items confirming entries on a customer's account. The message type may contain several accounts (quoted in the B-level).</p>
GENERAL	<p>General purpose message A code to identify the general purpose message. GS1 Description: A message to enable the transmission of textual information.</p>
GESMES	<p>Generic statistical message A code to identify the generic statistical message.</p>
GOVCBR	<p>Government cross border regulatory message A code to identify the government cross border regulatory message.</p>
HANMOV	<p>Cargo/goods handling and movement message A code to identify the cargo/goods handling and movement message. GS1 Description: Message from a party to a warehouse/distribution centre identifying the handling services and where required the movement of specified goods, limited to warehouses within the jurisdiction of the distribution centre.</p>
ICASRP	<p>Insurance claim assessment and reporting message A code to identify the insurance claim assessment and reporting message.</p>
ICSOLI	<p>Insurance claim solicitor's instruction message A code to identify the insurance claim solicitor's instruction message.</p>
IFCSUM	<p>Forwarding and consolidation summary message A code to identify the forwarding and consolidation summary message. GS1 Description: Message used for consolidation purposes from a party arranging forwarding and transport services to the party for which the transport of the consolidated cargo is destined. The message can be used to exchange information concerning the consolidated cargo between forwarders, carriers and agents enabling those parties to handle the consignments included in the consolidation. In addition it can be used for a collection of consignments originating from one shipper for forwarding and transport services.</p>
IFTCCA	<p>Forwarding and transport shipment charge calculation message A code to identify the forwarding and transport shipment charge calculation message.</p>
IFTDGN	<p>Dangerous goods notification message A code to identify the dangerous goods notification message.</p>
IFTFCC	<p>International transport freight costs and other charges message A code to identify the international transport freight costs and other charges message.</p>

Used Codes

IFTICL	Cargo insurance claims message A code to identify the cargo insurance claims message.
IFTMAN	Arrival notice message A code to identify the arrival notice message. GS1 Description: Message from the party providing forwarding and/or transport services to the party such as has been indicated in the contract, giving notice and details of the arrival of the consignment.
IFTMBC	Booking confirmation message A code to identify the booking confirmation message. GS1 Description: Message from the party providing forwarding and/or transport services to the party booking those services giving the confirmation information to the booking of the consignment concerned. A confirmation might read that the booking of a consignment is accepted, pending, conditionally accepted or rejected. The conditions under which requested services take place may be given in this message.
IFTMBF	Firm booking message A code to identify the firm booking message. GS1 Description: Message from a party definitely booking forwarding and/or transport services for a consignment to the party providing those services. The message will contain the conditions under which the sender of the messages requires the services to take place.
IFTMBP	Provisional booking message A code to identify the provisional booking message.
IFTMCA	Consignment advice message A code to identify the consignment advice message.
IFTMCS	Instruction contract status message A code to identify the instruction contract status message.
IFTMIN	Instruction message A code to identify the instruction message. GS1 Description: Message from the party issuing an instruction regarding forwarding/transport services for a consignment under conditions agreed, to the party arranging the forwarding and/or transport services.
IFTRIN	Forwarding and transport rate information message A code to identify the forwarding and transport rate information message.
IFTSAI	Forwarding and transport schedule and availability information message A code to identify the forwarding and transport schedule and availability information message.

Used Codes

IIFTSTA	International multimodal status report message A code to identify the international multimodal status report message. GS1 Description: Message to report the transport status and/or a change in the transport status (i.e. event) between agreed parties.
IIFTSTQ	International multimodal status request message A code to identify the international multimodal status request message.
IMPDEF	EDI implementation guide definition message A code to identify the EDI implementation guide definition message.
INFCON	Infrastructure condition message A code to identify the infrastructure condition message.
INFENT	Enterprise accounting information message A code to identify the enterprise accounting information message.
INSDDES	Instruction to despatch message A code to identify the instruction to despatch message. GS1 Description: A message instructing a third party to despatch a delivery.
INSPRE	Insurance premium message A code to identify the insurance premium message.
INSREQ	Inspection request message A code to identify the inspection request message.
INSRPT	Inspection report message A code to identify the inspection report message.
INVOIC	Invoice message A code to identify the invoice message. GS1 Description: Message claiming payment for goods or services supplied under conditions agreed between the seller and the buyer. The UNSM invoice message, with correct data qualification, serves also as the specification for debit note and credit note messages.
INVRPT	Inventory report message A code to identify the inventory report message. GS1 Description: Message specifying information relating to held inventories. The inventory report message is intended to be used in either direction between trading partners.
IPPOAD	Insurance policy administration message A code to identify the insurance policy administration message.
IPPOMO	Motor insurance policy message A code to identify the motor insurance policy message.

Used Codes

ISENDS	Intermediary system enablement or disablement message A code to identify the intermediary system enablement or disablement message.
ITRRPT	In transit report detail message A code to identify the in transit report detail message.
JAPRES	Job application result message A code to identify the job application result message.
JINFDE	Job information demand message A code to identify the job information demand message.
JOBAPP	Job application proposal message A code to identify the job application proposal message.
JOBCON	Job order confirmation message A code to identify the job order confirmation message.
JOBMOD	Job order modification message A code to identify the job order modification message.
JOBOFF	Job order message A code to identify the job order message.
JUPREQ	Justified payment request message A code to identify the justified payment request message.
	Notes: 1. The versions of this message which appear in message directories up to and including the D.00A directory are for use with Version 3 or 4 of the ISO 9735 syntax. Versions of the message which appear in the D.00B and later directories shall be used only with Version 4 of the ISO 9735 syntax. 2. This code value is retained in the Version 3 service code list for information purposes only.
LEDGER	Ledger message A code to identify the ledger message.
LREACT	Life reinsurance activity message A code to identify the life reinsurance activity message.
LRECLM	Life reinsurance claims message A code to identify the life reinsurance claims message.
MEDPID	Person identification message A code to identify the person identification message.
MEDPRE	Medical prescription message A code to identify the medical prescription message.
MEDREQ	Medical service request message A code to identify the medical service request message.

Used Codes

MEDRPT	<p>Medical service report message A code to identify the medical service report message.</p>
MEDRUC	<p>Medical resource usage and cost message A code to identify the medical resource usage and cost message.</p>
MEQPOS	<p>Means of transport and equipment position message A code to identify the means of transport and equipment position message.</p>
MOVINS	<p>Stowage instruction message A code to identify the stowage instruction message.</p>
MSCONS	<p>Metered services consumption report message A code to identify the metered services consumption report message. GS1 Description: A metered services consumption report is a communication between trading parties, or their agents, providing consumption and where required associated technical information at a location(s) for a product(s) or service(s) where the supply is recorded using a meter(s).</p>
ORDCHG	<p>Purchase order change request message A code to identify the purchase order change request message. GS1 Description: Message from the buyer to the seller, specifying details of the buyer's request to change a purchase order.</p>
ORDERS	<p>Purchase order message A code to identify the purchase order message. GS1 Description: Message specifying details for goods or services ordered under conditions agreed between the seller and the buyer.</p>
ORDRSP	<p>Purchase order response message A code to identify the purchase order response message. GS1 Description: Message from the seller to the buyer, responding to a purchase order message or a purchase order change request message.</p>
OSTENQ	<p>Order status enquiry message A code to identify the order status enquiry message. GS1 Description: A message from a buyer or buyer's agent which requests a supplier or supplier's agent for information on the current status of a previously sent outstanding order(s).</p>
OSTRPT	<p>Order status report message A code to identify the order status report message. GS1 Description: A message by means of which a seller or seller's agent reports status information on an order. This may be a reply to an order status enquiry sent by a buyer or buyer's agent or a report as agreed between trading parties.</p>

Used Codes

PARTIN	<p>Party information message A code to identify the party information message.</p> <p>GS1 Description: Message to enable the transmission of basic information regarding locations and the related operational, administrative, financial, manufacturing and trading data.</p>
PAXLST	<p>Passenger list message A code to identify the passenger list message.</p>
PAYDUC	<p>Payroll deductions advice message A code to identify the payroll deductions advice message.</p> <p>Notes: 1. The versions of this message which appear in message directories up to and including the D.99B directory are for use with Version 3 or 4 of the ISO 9735 syntax. Versions of the message which appear in the D.00A and later directories shall be used only with Version 4 of the ISO 9735 syntax. 2. This code value is retained in the Version 3 service code list for information purposes only.</p> <p>GS1 Description: Message sent by a party to a service providing organisation, to detail payments by payroll deductions, on behalf of employees, made to the service providing organisation.</p>
PAYEXT	<p>Extended payment order message A code to identify the extended payment order message.</p>
PAYMUL	<p>Multiple payment order message A code to identify the multiple payment order message.</p> <p>GS1 Description: Message sent by the ordering customer (or payor or agent on behalf of the ordering customer) to the ordered bank, to instruct the ordered bank to debit an account it services for the ordering customer, and to arrange for the payment of specified amounts to several beneficiaries (or payees) in settlement of the referenced business transaction(s).</p>
PAYORD	<p>Payment order message A code to identify the payment order message.</p>
PRICAT	<p>Price/sales catalogue message A code to identify the price/sales catalogue message.</p> <p>GS1 Description: Message to enable the transmission of information regarding pricing and catalogue details for goods and services offered by a seller to a buyer.</p>
PRIHIS	<p>Pricing history message A code to identify the pricing history message.</p>
PROCST	<p>Project cost reporting message A code to identify the project cost reporting message.</p>

Used Codes

PRODAT	<p>Product data message A code to identify the product data message. GS1 Description: A product data message is a communication between parties containing master data, to identify and describe products available for supply or for information purposes. This information of long validity does not include commercial terms and conditions but technical and functional product descriptions.</p>
PRODEX	<p>Product exchange reconciliation message A code to identify the product exchange reconciliation message.</p>
PROINQ	<p>Product inquiry message A code to identify the product inquiry message. GS1 Description: A message enabling the sender to inquire on a product or group of products from a master product catalogue or file according to criteria defined in the message.</p>
PROSRV	<p>Product service message A code to identify the product service message.</p>
PROTAP	<p>Project tasks planning message A code to identify the project tasks planning message.</p>
PRPAID	<p>Insurance premium payment message A code to identify the insurance premium payment message.</p>
QUALITY	<p>Quality data message A code to identify the quality data message. GS1 Description: Message to enable the transmission of the results of tests performed to satisfy a specified product or process requirement. The content includes, but it is not limited to, test data and measurements, statistical information, and the testing methods employed.</p>
QUOTES	<p>Quote message A code to identify the quote message. GS1 Description: Message which provides potential sellers with the ability to provide price, delivery schedule, and other conditions for potential sales of goods or services.</p>
RDRMES	<p>Raw data reporting message A code to identify the raw data reporting message.</p>
REBORD	<p>Reinsurance bordereau message A code to identify the reinsurance bordereau message.</p>
RECADV	<p>Receiving advice message A code to identify the receiving advice message. GS1 Description: This message is to address the business needs related to the goods receipt. This message is used to report the physical receipt of goods. The message allows for the reporting of discrepancies in products, quantities, terms, packages, etc.</p>

Used Codes

RECALC	Reinsurance calculation message A code to identify the reinsurance calculation message.
RECECO	Credit risk cover message A code to identify the credit risk cover message.
RECLAM	Reinsurance claims message A code to identify the reinsurance claims message.
RECORD	Reinsurance core data message A code to identify the reinsurance core data message.
REGENT	Registration of enterprise message A code to identify the registration of enterprise message.
RELIST	Reinsured objects list message A code to identify the reinsured objects list message.
REMAADV	Remittance advice message A code to identify the remittance advice message. GS1 Description: Message which provides a detailed accounting relative to a payment, or other form of financial settlement, on a specified date for the provision of goods and/or services as detailed in the advice.
REPREM	Reinsurance premium message A code to identify the reinsurance premium message.
REQDOC	Request for document message A code to identify the request for document message.
REQOTE	Request for quote message A code to identify the request for quote message. GS1 Description: Message which provides potential buyers with the ability to solicit price, delivery schedule, and other conditions from potential sellers of goods or services.
RESETT	Reinsurance settlement message A code to identify the reinsurance settlement message.
RESMSG	Reservation message A code to identify the reservation message.
RETACC	Reinsurance technical account message A code to identify the reinsurance technical account message.
RETANN	Announcement for returns message A code to identify the announcement for returns message. GS1 Description: Message announcing returns.

Used Codes

RETINS	<p>Instruction for returns message A code to identify the instruction for returns message. GS1 Description: Message instructing on returns.</p>
RPCALL	<p>Repair call message A code to identify the repair call message.</p>
SAFHAZ	<p>Safety and hazard data message A code to identify the safety and hazard data message.</p>
SANCRT	<p>International movement of goods governmental regulatory message A code to identify the international movement of goods governmental regulatory message.</p>
SLSFCT	<p>Sales forecast message A code to identify the sales forecast message. GS1 Description: Message to enable the transmission of forecast data related to products or services, such as corresponding location, period, product identification, pricing, monetary amount, quantity, market sector information, sales parties. It enables the recipient to process the information automatically and use it for production, planning, marketing, statistical purposes, etc.</p>
SLSRPT	<p>Sales data report message A code to identify the sales data report message. GS1 Description: Message to enable the transmission of sales data related to products or services, such as corresponding location, period, product identification, pricing, monetary amount, quantity, market sector information, sales parties. It enables the recipient to process the information automatically and use it for production, planning, marketing, statistical purposes, etc.</p>
SOCADE	<p>Social administration message A code to identify the social administration message.</p>
SSIMOD	<p>Modification of identity details message A code to identify the modification of identity details message.</p>
SSRECH	<p>Worker's insurance history message A code to identify the worker's insurance history message.</p>
SSREGW	<p>Notification of registration of a worker message A code to identify the notification of registration of a worker message.</p>
STATAC	<p>Statement of account message A code to identify the statement of account message.</p>
STLRPT	<p>Settlement transaction reporting message A code to identify the settlement transaction reporting message.</p>
SUPCOT	<p>Superannuation contributions advice message A code to identify the superannuation contributions advice message.</p>

Used Codes

SUPMAN	Superannuation maintenance message A code to identify the superannuation maintenance message.
SUPRES	Supplier response message A code to identify the supplier response message.
TANSTA	Tank status report message A code to identify the tank status report message.
TAXCON	Tax control message A code to identify the tax control message. GS1 Description: A message to enable the transmission of information related to the tax details of an invoice, or a batch/batches of invoice messages.
TPFREP	Terminal performance message A code to identify the terminal performance message.
UTILMD	Utilities master data message A code to identify the utilities master data message.
UTILTS	Utilities time series message A code to identify the utilities time series message.
VATDEC	Value added tax message A code to identify the value added tax message.
VERMAS	Verified gross mass message A code to identify the verified gross mass message.
VESDEP	Vessel departure message A code to identify the vessel departure message.
WASDIS	Waste disposal information message A code to identify the waste disposal information message.
WKGRDC	Work grant decision message A code to identify the work grant decision message.
WKGRRE	Work grant request message A code to identify the work grant request message.
0083	Action, coded A code indicating acknowledgement, or rejection (the action taken) of a subject interchange, or part of the subject interchange.
1	Acknowledged (this level and all lower levels) (GS1 Permanent Code) The currently identified interchange is acknowledged.
2	Acknowledged - errors detected and reported (GS1 Permanent Code) The currently identified interchange is acknowledged but errors have been detected and reported.

Used Codes

3	One or more rejected - next lower level (GS1 Permanent Code) Information from the next lower level in the currently identified interchange has been rejected.
4	This level and all lower levels rejected The corresponding referenced-level and all its lower referenced-levels are rejected. One or more errors are reported at this reporting-level or a lower reporting- level.
5	UNB/UNZ accepted (GS1 Permanent Code) The currently identified interchange has been accepted.
6	UNB/UNZ rejected (GS1 Permanent Code) The currently identified interchange has been rejected.
7	This level acknowledged, next lower level acknowledged if not explicitly rejected The corresponding referenced level is acknowledged. All messages or functional groups at the next lower referenced level are acknowledged except those explicitly reported as rejected at the next lower reporting level in this CONTRL message. GS1 Description: The corresponding referenced-level is acknowledged. All messages or functional groups at the next lower referenced-level are acknowledged except those explicitly reported as rejected at the next lower reporting-level in this CONTRL message.
8	Interchange received Indication of interchange receipt implies that the recipient of the subject interchange: has received the interchange; and acknowledges the parts of the interchange that have been checked in order to assure that the data elements copied into the reporting UCI segment are syntactically correct; and has accepted liability for notifying the sender of acknowledgement or rejection of the other parts of the interchange; and has taken reasonable precautions in order to ensure that the sender is so notified.
0085	Syntax error, coded A code indicating the syntax error detected.
1	UNA not supported (GS1 Temporary Code) Notification that the UNA character string cannot be understood or complied with.
2	Syntax level or version not supported Notification that the syntax version and/or level is not supported by the recipient.
3	Message version/release not supported (GS1 Temporary Code) Notification that the message type, version number and/or release number in the UNG and/or UNH segments are not supported by the recipient.

Used Codes

6	Data segment missing/invalid (GS1 Temporary Code) Notification that a data segment is missing, contains invalid data or cannot be processed for any reason.
7	Interchange recipient not actual recipient Notification that the Interchange recipient (S003) is different from the actual recipient.
9	Mandatory data element missing (GS1 Temporary Code) Indication that a mandatory data element is missing in a service or data segment.
11	Password invalid (GS1 Temporary Code) Indication that the password in segment UNB is invalid.
12	Invalid value Notification that the value of a simple data element, composite data element or component data element does not conform to the relevant specifications for the value.
13	Missing Notification that a mandatory (or otherwise required) service or user segment, data element, composite data element or component data element is missing
14	Value not supported in this position Notification that the recipient does not support use of the specific value of an identified simple data element, composite data element or component data element in the position where it is used. The value may be valid according to the relevant specifications and may be supported if it is used in another position.
15	Not supported in this position Notification that the recipient does not support use of the segment type, simple data element type, composite data element type or component data element type in the specific in the identified position.
16	Too many constituents Notification that the identified segment contained too many data elements or that the identified composite data element contained too many component data elements.
17	No agreement No agreement exist that allows receipt of an interchange, functional group or message with the value of the identified simple data element, composite data element or component data element.
18	Unspecified error Notification that an error has been identified, but the nature of the error is not reported.
19	Invalid decimal notation Notification that the character indicated as decimal notation in UNA is invalid, or the decimal notation used in a data element is not consistent with the one indicated in UNA.

Used Codes

20	Character invalid as service character Notification that a character advised in UNA is invalid as service character.
21	Invalid character(s) Notification that one or more character(s) used in the interchange is not a valid character as defined by the syntax level indicated in UNB. The invalid character is part of the referenced-level, or followed immediately after the identified part of the interchange.
22	Invalid service character(s) Notification that the service character(s) used in the interchange is not a valid service character as advised in UNA or not one of the service characters in the syntax level indicated in UNB or defined in an interchange agreement. If the code is used in UCS or UCD, the invalid character followed immediately after the identified part of the interchange.
23	Unknown interchange sender Notification that the Interchange sender (S002) is unknown.
24	Too old Notification that the received interchange or functional group is older than a limit specified in an IA or determined by the recipient.
25	Test indicator not supported Notification that a test processing could not be performed for the identified interchange, functional group or message.
26	Duplicate detected Notification that a possible duplication of a previously received interchange, functional group or message has been detected. The earlier transmission may have been rejected.
27	Security function not supported Notification that a security function related to the referenced-level or data element is not supported.
28	References do not match Notification that the control reference in UNB/UNG/UNH does not match the one in UNZ/UNE/UNT.
29	Control count does not match number of instances received Notification that the number of functional groups/ messages/segments does not match the number given in UNZ/UNE/UNT.
30	Functional groups and messages mixed Notification that individual messages and functional groups have been mixed at the same level in the interchange.
31	More than one message type in group Notification that different message types are contained in a functional group.
32	Lower level empty Notification that the interchange did not contain any messages or functional groups, or a functional group did not contain any messages.

Used Codes

33	Invalid occurrence outside message or functional group Notification that an invalid segment or data element occurred in the interchange, between messages or between functional groups. Rejection is reported at the level above.
34	Nesting indicator not allowed Notification that explicit nesting has been used in a message where it shall not be used.
35	Too many segment repetitions Notification that a segment was repeated too many times.
36	Too many segment group repetitions Notification that a segment group is repeated to many times.
37	Invalid type of character(s) Notification that one or more numeric characters were used in an alphabetic (component) data element or that one or more alphabetic characters were used in a numeric (component) data element.
38	Missing digit in front of decimal sign Notification that a decimal sign is not preceded by one or more digits.
39	Data element too long Notification that the length of the data element received exceeded the maximum length specified in the data element description.
40	Data element too short Notification that the length of the data element received is shorter than the minimum length specified in the data element description.
41	Permanent communication network error Notification that a permanent error was reported by the communication network used for transfer of the interchange. Re-transmission of an identical interchange with the same parameters at network level will not succeed.
42	Temporary communication network error Notification that a temporary error was reported by the communication network used for transfer of the interchange. Re-transmissions of an identical interchange may succeed.
43	Unknown interchange recipient Notification that the interchange recipient is not known by a network provider.

Example

UNA:+.?' '
UNA:+.?' '

UNB+UNOA:3+401234500009:14:1+4000004000002:14:4000004000099+021013:1043
+12345555+REF:AA++A+1+EANCOM-DISI+1'
UNB+UNOA:3+5412345678908:14+8798765432106:14+020102:
1000+12345555++++EANCOMREF 52'

UNH+1+CONTRL:D:3:UN:EAN004'
UNH+ME000001+CONTRL:D:3:UN:EAN004'

UCI+1+X:14:X+X:14:X+4+1+UCD+123:123'
UCI+10001+5412345000013:14+5412345000020:14+8'

UCM+1+CONTRL:D:01B:UN:EAN001+4+3+UCD+1:1'
UCM+ME002341+INVOIC:D:01B:UN:EAN010+4+13+UNH+2'

UCS+1+6'
UCS+3+12'

UCD+9+1:1'
UCD+12+4:4'

UNT+6+1'
UNT+6+ME000001'

UNZ+1+12345555'
UNZ+5+12345555'
